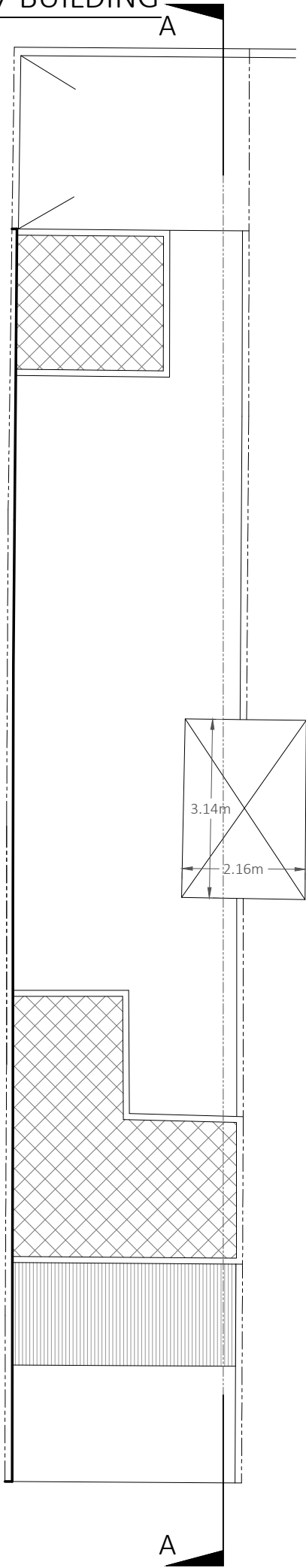
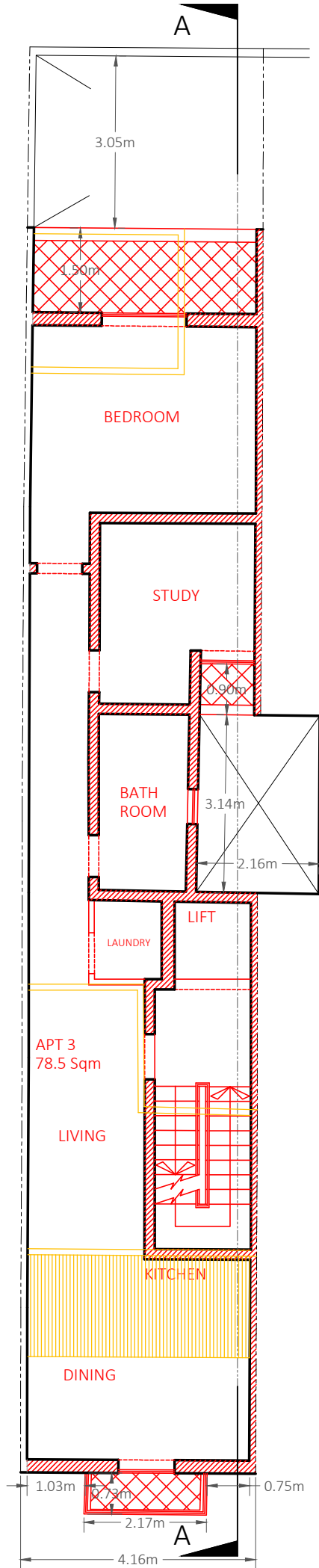


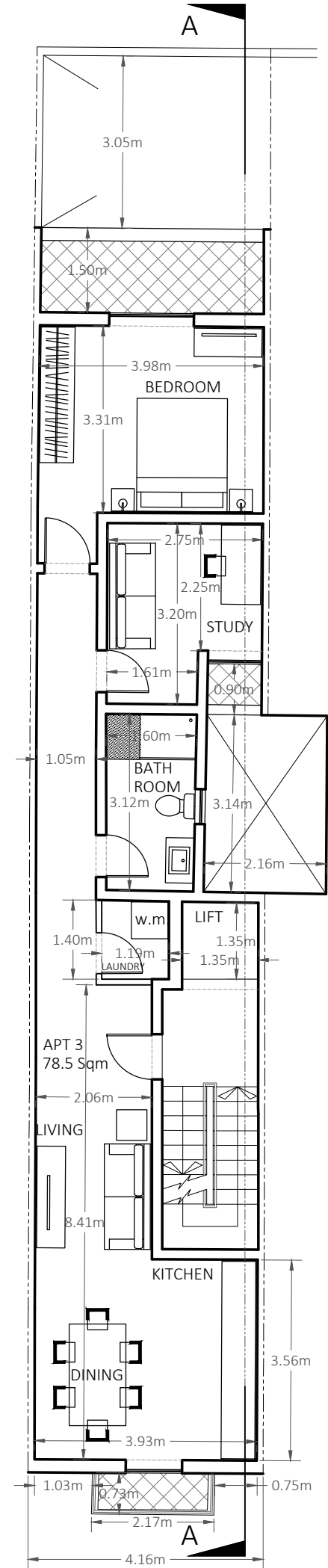
PRE 1967 BUILDING



EXISTING ROOF PLAN
SCALE 1:100

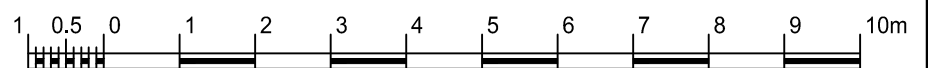


EXISTING/PROPOSED
THIRD FLOOR PLAN
SCALE 1:100



PROPOSED THIRD
FLOOR PLAN
SCALE 1:100

AREA LEGEND			
APT No.	INTERNAL	EXTERNAL	GROSS
APT 3	70.7 Sqm	8.8 Sqm	79.5 Sqm



Scale 1:100